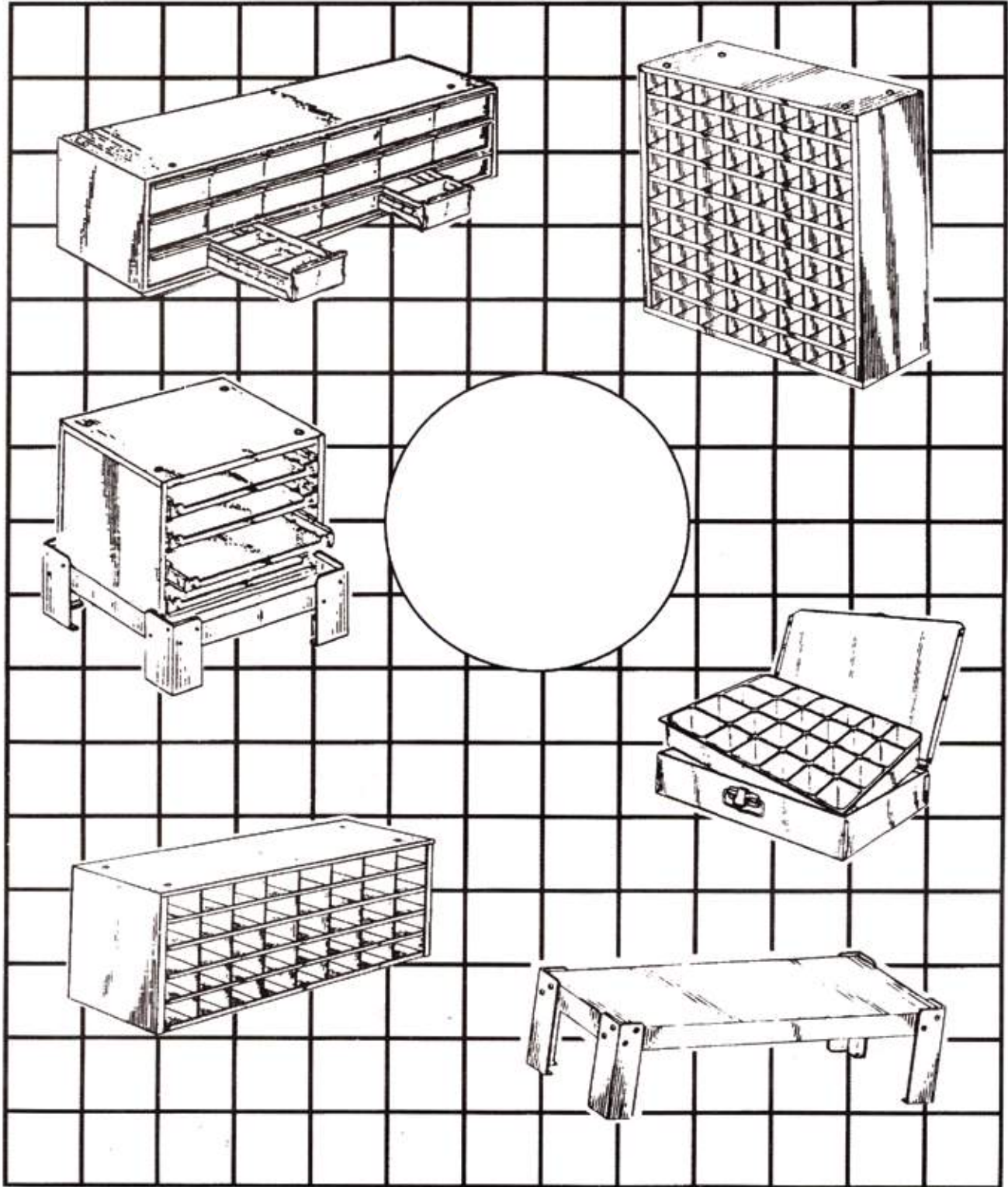


H&S Sales Inc.

Your Fastener Specialists
Since 1952



ORDER INFORMATION

Special Paint Colors:

Please submit your sample paint chip and a quote will be prepared.

Specialties:

Our Engineering Department can assist in the design of any special metal product for your specific needs. Please inquire.

Shipping Method:

If you do not specify a carrier, we will ship by the most economic way.

We are not responsible for damage or loss of goods in transit. All claims must be made to the carrier or consignee. The delivery receipt should be clearly marked as to nature of claim determined in the presence of the driver.

Claims for shortage, damage, loss or error in shipment must be made to the carrier.

Returned Shipments:

Returned goods will not be accepted, under any circumstances, without our specific written authorization.

Products returned in good condition with authorization and transportation charges prepaid will be granted credit less 15% for shipping and handling expense.

Returned shipments will not be accepted after 30 days of purchase.

Terms:

All sales are net 30 days F.O.B. Three references and one bank reference will be necessary if you do not have an account with us. Cash in advance, pro forma billing, in lieu of references. Prices are subject to change without notice.



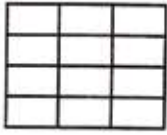
471 Connecticut Street, Buffalo, NY 14213
New York: 1.716.882.1568 • Nationwide: 1.844.755.9335
www.hssales.com • sales@hssales.com

INDEX

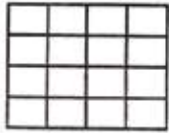
<i>Drawers</i>	<i>GLF Item #</i>	<i>Page</i>	<i>Cabinets</i>	<i>GLF Item #</i>	<i>Page</i>
L-4X	006	1	L-Ignition Cabinet	730	13
L-6H	074	1	S-Ignition Cabinet	731	13
L-6V	094	1	6 Drawer Cabinet HZ	701	11
L-12	036	1	6 Drawer Cabinet VT	702	11
L-16	016	1	9 Drawer Cabinet	703	11
L-20	026	1	12 Drawer Cabinet	715	11
L-21	010	1	18 Drawer Cabinet	700	12
L-24	020	1	24 Drawer Cabinet	716	12
L-29	030	1	30 Drawer Cabinet	717	12
L-32	040	1	Utility Cabinet	944	15
 <i>Racks</i>			 <i>Aerosol Can Cabinets and Caddys</i>		
6 Tier Security Cabinet	735	2	2T-48-AC	300	14
Double Drawer Rack	262	3	AC-71	303	15
4 Drawer Rack	272	3	AC-6-Can Caddy	301 / 306	16
4 Drawer Cabinet Rack	271	4	AC-12 Can Caddy	304 / 308	16
2 Drawer Roller Rack	705	4	 <i>Specialty Items</i>		
4 Drawer Roller Rack	274	4	Keystock Rack	745 / 746	18
 <i>Stands</i>			Threaded Rod Rack	760 / 761	24
Slide Rack Base Stand	404	5	Wire Rack	600	17
Roller Rack Base Stand	405	5	Single Wire Rack	633	18
Cabinet Rack Base Stand	401	5	Double Spool Rack	631	18
H-Series Base Stand	403	5	Welding Rod Rack	780 / 781 / 782	21
H-36 Rack Base Stand	402	5	Brake Line Rack-Single	711	20
6-T-Cabinet Stand	407	5	28 Slot Brak Line Rack	714	20
2-T-Cabinet Stand	407	5	Lockout / Tagout Station	943	21
18 Drawer Cabinet Stand	415	5	Material Safety Data Station	936	22
Hydraulic Hose Base Stand	408	21	Wire Caddy	920	22
 <i>Bins</i>			Cut-Off Wheel Dispenser	784 / 785 / 786	22
Industrial Bin - 12	295	7	Hydraulic Hose Cabinet	932 / 933 / 934	23
Industrial Bin - 18	292	7	Hydraulic Hose Base	408-8	23
Industrial Bin - 20	293	8	 <i>New Products</i>		
 <i>Bins - H- Series</i>			Gravity Feed Aerosol Cabinet	268	19
H-8	294	7	Aerosol Can Cabinet "Carry -Go-Round"	1042	19
H-16	281	6	Aerosol Can Caddy	309	19
H-24	282	8	Multipurpose Bin w/removable shelves	709	10
H-32	283	9	L-Series (LX-3) w/removable dividers	057	1
H-36	284	8	Small Storage Wall Mount Cabinet	1006	2
H-40	285	6	Wire Caddy	920	22
H-42	286	8	Fire Extinguisher Sign	1070	25
H-56	288	9	Double Door Cabinet	1046	24
H-72	291	10	Double Deep Drawer	133	25
			Mobile Service Center Kit	1044	25
			All Plastic Drawer	2000	1

L-Series Drawers

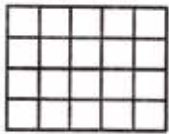
L-12 PLS



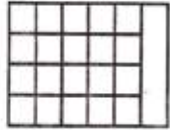
L-16 PLS



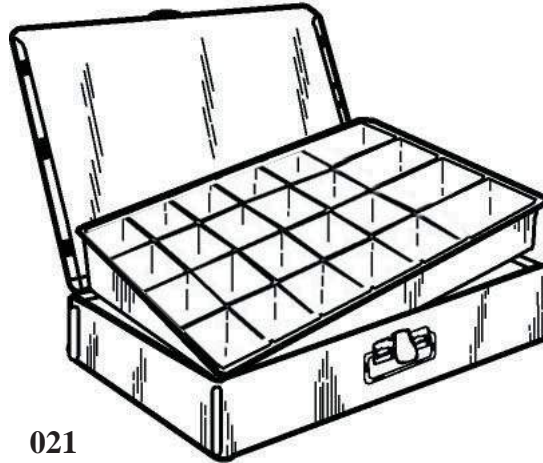
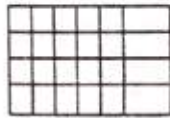
L-20 PLS



L-21 PLS



L-24 PLS



021

020 - L-Shell With Plastic Inserts

Heavy Duty Cold Rolled Steel Shell with or without catch
 Durable Powder Coated Finish
 High Impact Plastic Insert
 Round Bottom "Scoop Out" Compartments
 Standard Color: Gray
 Exterior Dimensions: 3" H x 18" W x 12" D

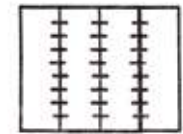
L-6H PLS



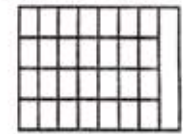
L-6V PLS



L-4X Plastic



L-SHELL 29 PLS



L-SHELL 32 PLS



057 L-Series (LX-3) w/Removable Dividers



2000 All Plastic Drawer



High Impact Plastic
 Variety of Sizes
 (L-24 Shown)
 Standard Color: Gray
 Exterior Dimensions:
 3" H x 18" W x 12" D

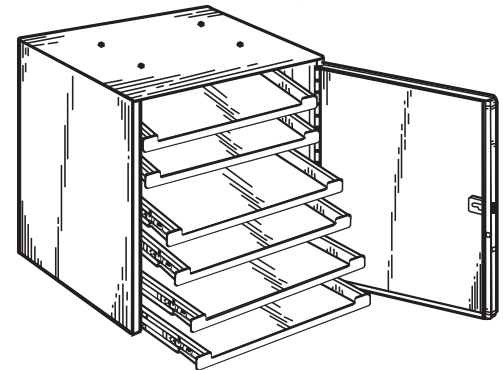
Please order by L-Shell part numbers indicated below

	L-21 PLS	L-24 PLS	L-29 PLS	L-32 PLS	L-4X PLS	L-12 PLS	L-16 PLS	L-20 PLS	L-6H PLS	L-6V PLS	L-3X
Part Number w/o catch	010	020	030	040	006	036	016	026	074	094	058
With Catch	011	021	031	041	007	037	017	027	075	095	057
Insert Only	015	025	035	045	046	047	048	044	024	034	

735 (6-T) 6 Tier Security Cabinet

This unit features six telescopic sliding trays for use with L-series drawers. Includes an exclusive keyed sliding lock system.

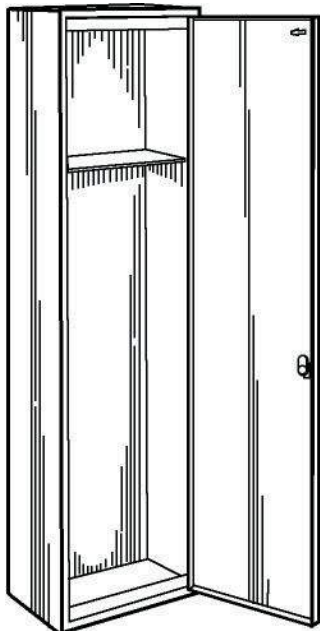
Heavy Duty Cold-Rolled Steel Construction
Durable Powder Coated Finish
Standard Color: Gray
Six (6) Sliding Trays
Shipping Weight: 52 lbs.
Exterior Dimensions: 24" H x 20 3/4" W x 14" D



PLEASE NOTE: Not recommended for wall mounting.

6 Tier Security Cabinet Base Stands Available

See page 5 for ordering information



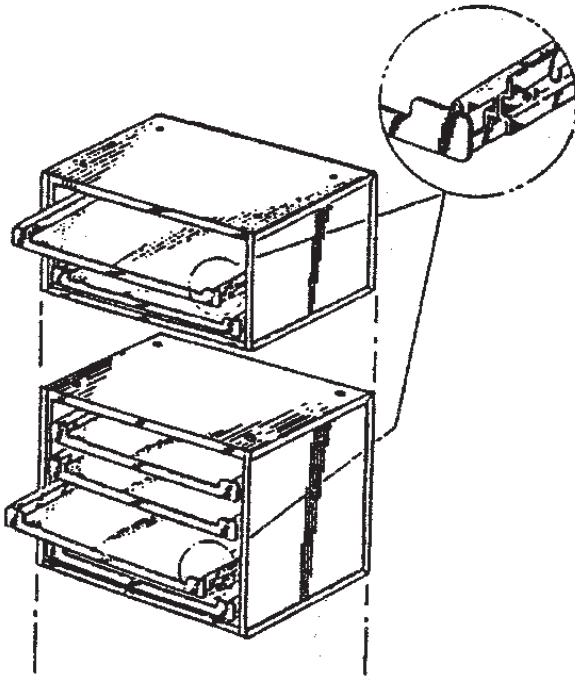
1006 Small Storage Wall Mount Cabinet

Features:

Includes 4 adjustable shelves
Cam lock with key
Heavy Duty Cold-Rolled Steel Construction
Durable Powder Coated Finish
Standard Color: Gray
Shipping Weight: 36 lbs.
Exterior Dimensions: 48"H x 12"W x 8"D

L-Series Rack

SHIP VIA



All L-Series Racks Feature:
Heavy Duty Cold-Rolled Steel Construction
Durable Powder Coated Finish
Standard Color: Gray

262 Double Drawer Rack

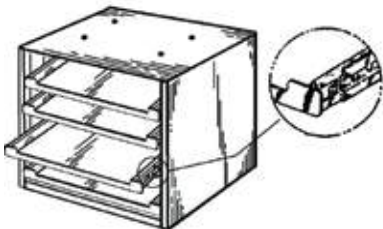
This unit features two telescoping slide trays and can be stacked to form a multiple unit.

Shipping Weight: 19 lbs.

Exterior Dimensions: 7 13/16" H x 20 1/4" W x 12 3/4" D

272 (L-R-NS) Four Drawer Rack

This unit has four slide out trays for use with our L-Series drawers. This unit has many features that will help maximize storage space. The unit features a telescopic slide trays.



Shipping Weight: 37 lbs.

Exterior Dimensions:

14 3/4" H x 20 1/4" W x 12 3/4" D

271 (CRNS)

Four Drawer Cabinet Rack

This Unit features:

20 Gauge Heavy Duty Steel Construction with
Free Floating Slides.

Shipping Weight: 39 lbs.

Exterior Dimensions:

14 3/4" H x 20 1/4" W x 15 3/4" D

705 (2-DRW-RR)

Double Drawer Roller Rack

This unit features:

Extra Heavy Duty Construction tray equipped
with Metal Roller Wheels for ease of operation
under heavier loads

Shipping Weight: 25 lbs.

Exterior Dimensions:

7 13/16" H x 20 7/16" W x 16 3/4" D

274 (L-RR-NS)

Four Drawer Roller Rack

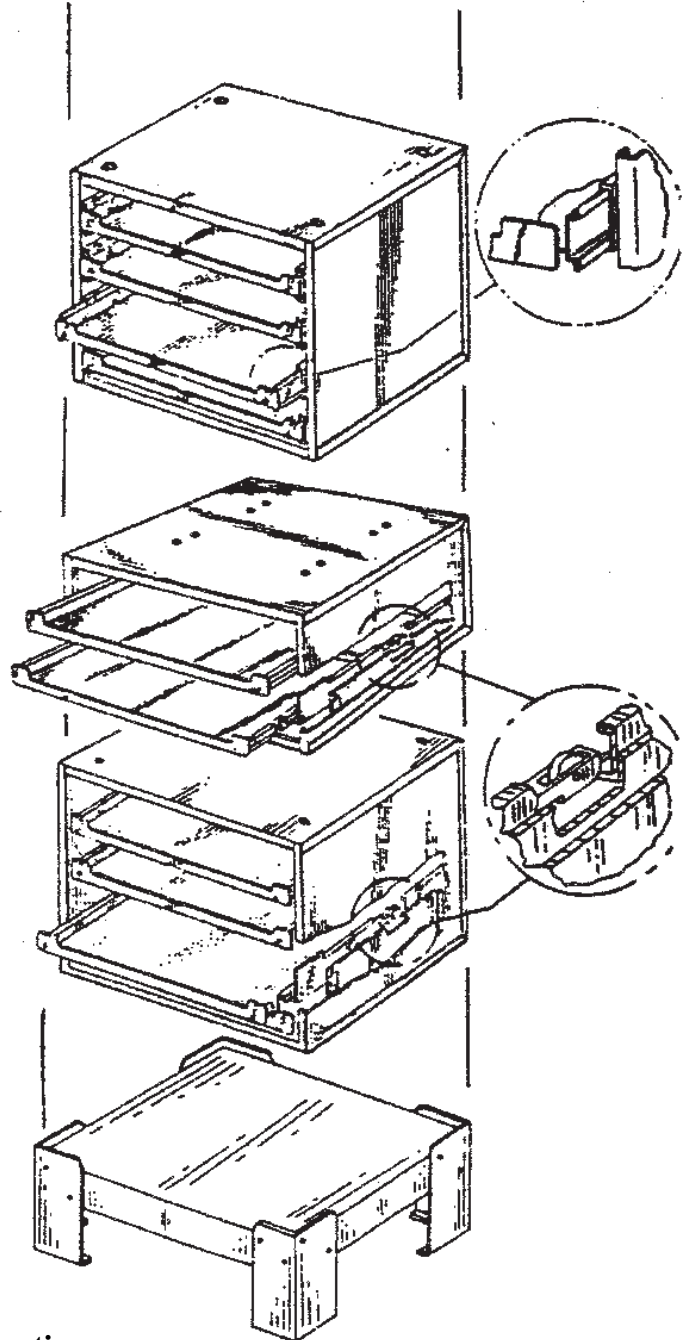
This unit features:

Extra Heavy Duty Patented Construction.
equipped with Metal Roller Wheels for ease of operation
under heavier loads

Shipping Weight: 39 lbs.

Exterior Dimensions:

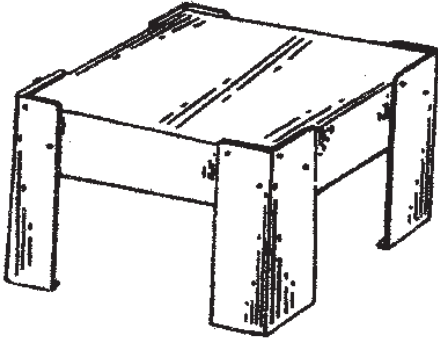
14 3/4" H x 20 7/16" W x 16 3/4" D



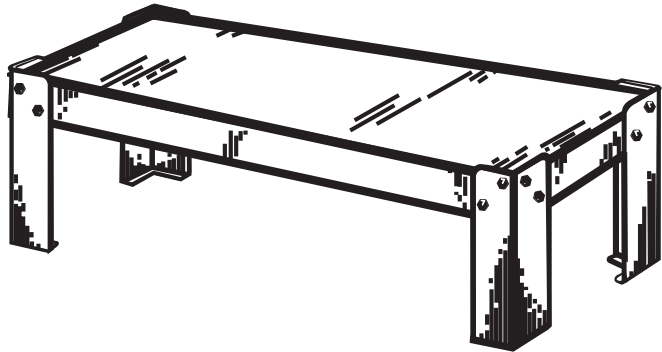
Rack Base Stands Available

See page 5 for ordering information

Base Stands



Rack Base Stand



H-Series Base Stand

Base Stand Sizes

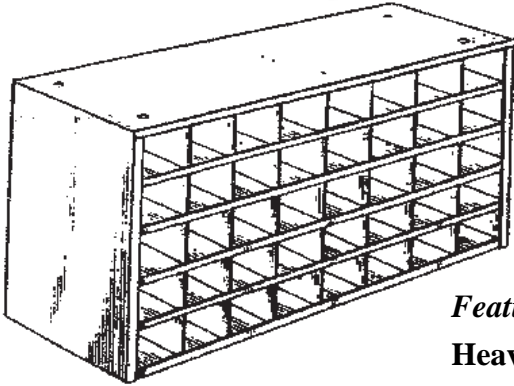
Part Number	Cross Reference	<i>Please order by part numbers indicated below</i>			
		4" Leg	8" Leg	12" Leg	15" Leg
271	CRNS	401-4"	401-8"	401-12"	401-15"
272	L-R-NS	404-4"	404-8"	404-12"	404-15"
274	L-RR-NS	405-4"	405-8"	405-12"	405-15"
735, 300	6-T-CAB, 2-T-CAB	407-4"	407-8"	407-12"	407-15"
284	H-36	402-4"	402-8"	402-12"	N/A
281 - 283 285 - 295	Bins: 8,12,16,18,20 24,32,40,42,56,72	403-4"	403-8"	403-12"	N/A
700	6 DRW CAB	415-4"	415-8"	415-12"	N/A
701	18 DRW CAB	415-4"	415-8"	415-12"	N/A
715	12 DRW CAB	415-4"	415-8"	415-12"	N/A
716	24 DRW CAB	415-4"	415-8"	415-12"	N/A
717	30 DRW CAB	415-4"	415-8"	415-12"	N/A
944	UTILITY CAB	413-4"	413-8"	413-12"	413-15"

*Most of these units are available with 4", 8" 12" 15" base legs. Each unit
Includes a 16 piece cadmium bolt and nut set packaged for assembly*

H-Series Bins



285 (H-40) 40 Compartment Bin



- *The 40 Compartment Bin is one of our more popular models.*
- *Two units can be stacked to form an 80 compartment unit.*

Features:

Heavy Duty Cold-Rolled Steel Construction

40 Hole Capacity

Durable Powder Coated Finish

Standard Color: Gray

One (1) Per carton

Shipping Weight: 54 lbs

Exterior Dimensions: 21 1/2" H x 35 1/4" W x 11 7/8" D

Opening Dimensions: 3 1/4" H x 4" W

H-Series Bins offer maximum utility coupled with efficient space usage. A wide range of models are offered to help you match your unique and exact storage needs. Each bin has a lip providing a convenient location for labels and keeping parts securely in place. All Bins have hemmed dividers.

281 (H-16) 16 Compartment Bin



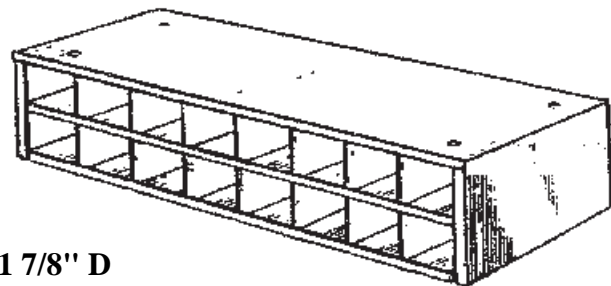
Features:

16 Hole Capacity

Shipping Weight: 24 lbs

Exterior Dimensions: 9 1/2" H x 35 1/4" W x 11 7/8" D

Opening Dimensions: 3 1/2" H x 4" W



294 (H-8) 8 Industrial Bin

Features:

Heavy Duty Cold-Rolled Steel Construction

8 Hole Capacity

Durable Powder Coated Finish

Standard Color: Gray

One (1) Per carton

Shipping Weight: 35 lbs.

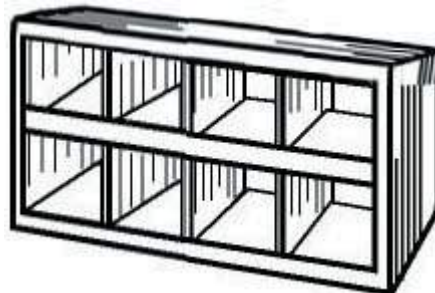
Exterior Dimensions: 21 1/2" H x 35 1/4" W x 11 7/8" D

Opening Dimensions: 8 1/2" H x 8 1/2" W

SHIP VIA



H-Series Bins



295 Industrial Bin 12 Compartment

Features:

Heavy Duty Cold-Rolled Steel Construction

12 Hole Capacity

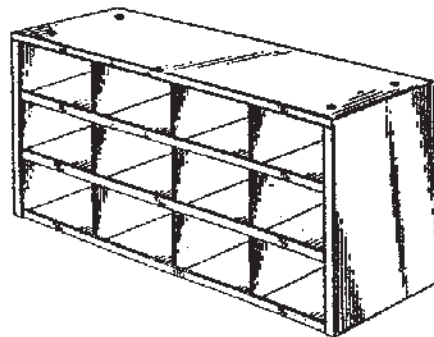
Standard Color: Gray

Shipping Weight: 40 lbs

Exterior Dimensions: 21 1/2" H x 35 1/4" W x 11 7/8" D

Opening Dimensions: 5 1/2" H x 5 1/2" W

SHIP VIA



292 Industrial Bin 18 Compartment

Features:

Heavy Duty Cold-Rolled Steel Construction

18 Hole Capacity

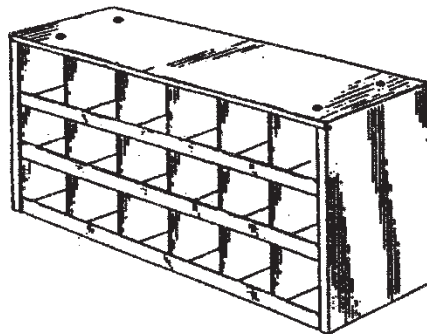
Standard Color: Gray

Shipping Weight: 45 lbs

Exterior Dimensions: 21 1/2" H x 35 1/4" W x 11 7/8" D

Opening Dimensions: 5 1/2" x 5 1/2"

SHIP VIA



293 Industrial Bin 20 Compartment

Features:

Heavy Duty Cold-Rolled Steel Construction

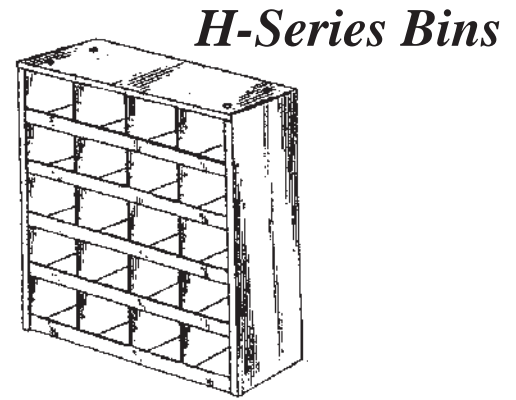
20 Hole Capacity

Standard Color: Gray

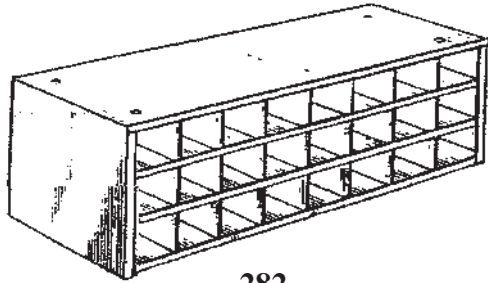
Shipping Weight: 68 lbs

Exterior Dimensions: 42" H x 35 1/4" W x 11 7/8" D

Opening Dimensions: 6 1/4" x 8 1/2"



**Note: Industrial Bin Base Stands Available
See page 5 for ordering information**



282

282 (H-24) 24 Compartment Bin

Features:

24 Hole Capacity

Shipping Weight: 35 lbs.

Exterior Dimensions: 14 1/4" H x 35 1/4" W x 11 7/8" D

Opening Dimensions: 3 1/4" H x 4 1/8" W

284 (H-36) 36 Compartment Bin

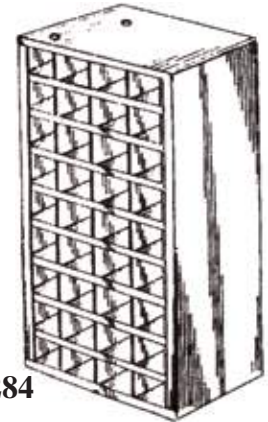
Features:

36 Hole Capacity

Shipping Weight: 46 lbs.

Exterior Dimensions: 42" H x 17 5/8" W x 11 7/8" D

Opening Dimensions: 4 5/8" H x 4 1/4" W



284

286 (H-42) 42 Compartment Bin

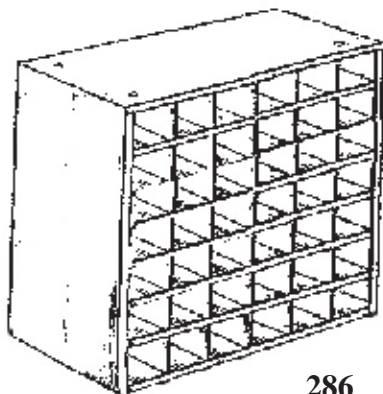
Features:

42 Hole Capacity

Shipping Weight: 77 lbs.

Exterior Dimensions: 42" H x 35 1/4" W x 11 7/8" D

Opening Dimensions: 6" H x 5 5/8" W



286



Bin Base Stands Available

See page 5 for ordering information

H-Series Bins

288 (H-56) 56 Compartment Bin

Features:

Heavy Duty Cold-Rolled Steel Construction

56 Hole Capacity

Durable Powder Coated Finish

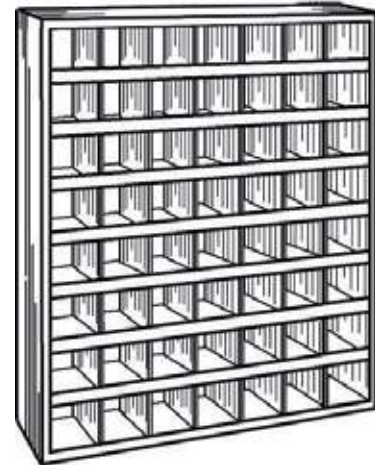
Standard Color: Gray

One (1) Per carton

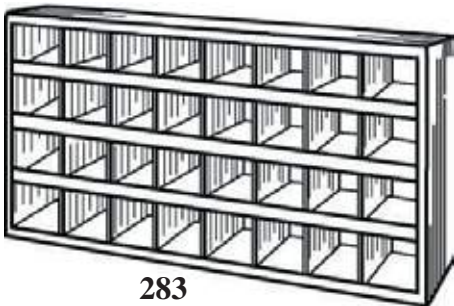
Shipping Weight: 85 lbs.

Exterior Dimensions: 42" H x 35 1/4" W x 11 7/8" D

Opening Dimensions: 4 1/8" H x 5" W



288



283

283 (H-32) 32 Compartment Bin

Features:

Heavy Duty Cold-Rolled Steel Construction

32 Hole Capacity

Durable Powder Coated Finish

Standard Color: Gray

One (1) Per carton

Shipping Weight: 46 lbs.

Exterior Dimensions: 17 3/8" H x 35 1/4" W x 11 7/8" D

Opening Dimensions: 3 1/4" H x 4" W

SHIP VIA



291 (H-72) 72 Compartment Bin

The 72 Compartment Bin is one of our most popular models.

Features:

Heavy Duty Cold-Rolled Steel Construction

72 Hole Capacity

Durable Powder Coated Finish

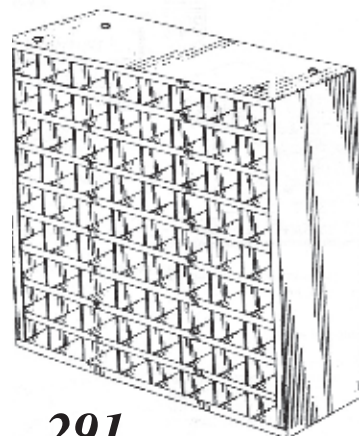
Standard Color: Gray

One (1) Per carton

Shipping Weight: 90 lbs

Exterior Dimensions: 42" H x 35 1/4" W x 11 7/8" D

Opening Dimensions: 3 5/8" H x 4" W



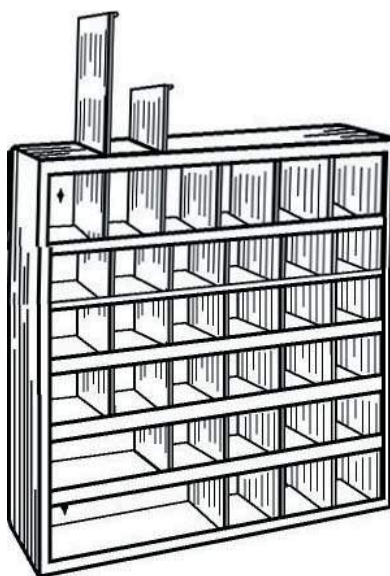
291

H-Series Base Stand Available

See page 5 for ordering information.

For use with H-Series Bins.

709 Multipurpose Bin w/ Removable Dividers



Features:

Adjusts from 36 compartments to users needs.

Heavy Duty Cold-Rolled Steel Construction

Durable Powder Coated Finish

Standard Color: Gray

Shipping Weight: 25 lbs.

Exterior Dimensions: 23 3/4" H x 23 3/4" W x 4 3/4" D

Storage Cabinets

701, 702 - 6 Drawer Cabinet

701 Six Drawer Horizontal Cabinet (*shown*)
702 Six Drawer Vertical Cabinet (*shown*)

Another durable stackable cabinet to organize all parts from the office to the shop.

Features:

12 dividers - Extra Dividers Available

6 Drawers

Heavy Duty Cold-Rolled Steel Construction

Durable Powder Coated Finish

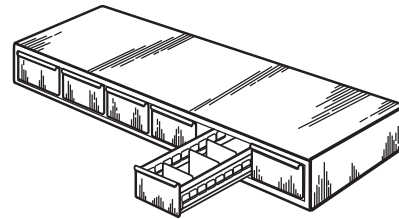
Standard Color: Gray

Shipping Weight: 19 lbs.

Exterior Dimensions:

Six Drawer Horizontal: 4" H x 34" W x 11 5/8" D

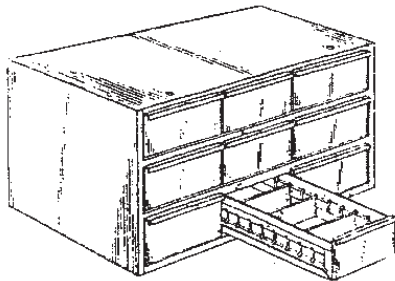
Six Drawer Vertical: 10 3/4" H x 11 3/4" W x 11 5/8" D



701 Six Drawer
Horizontal Cabinet



702 Six Drawer
Vertical Cabinet



703 - 9 Drawer Cabinet

Features:

18 dividers - Extra Dividers Available

9 Drawers

Heavy Duty Cold-Rolled Steel Construction

Durable Powder Coated Finish

Standard Color: Gray

Shipping Weight: 22 1/2 lbs.

Exterior Dimensions: 10 3/4" H x 17 1/4" W x 11 5/8" D

715 - 12 Drawer Cabinet

Features:

24 dividers - Extra Dividers Available

12 Drawers

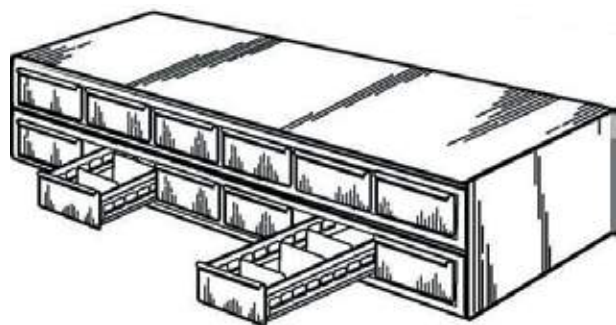
Heavy Duty Cold-Rolled Steel Construction

Durable Powder Coated Finish

Standard Color: Gray

Shipping Weight: 22 1/2 lbs.

Exterior Dimensions: 7 1/2" H x 34" W x 11 5/8" D



Storage Cabinets

700 - 18 Drawer Cabinet

Features:

36 dividers - Extra Dividers Available

18 Drawers

Heavy Duty Cold-Rolled Steel Construction

Durable Powder Coated Finish

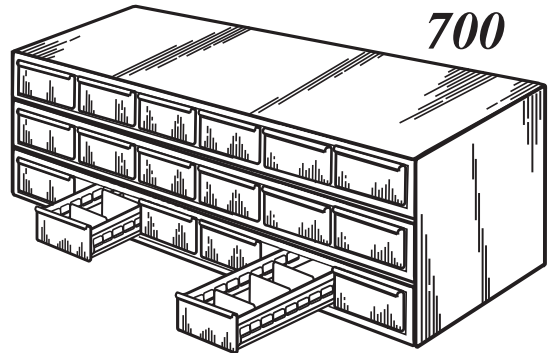
Standard Color: Gray

Shipping Weight: 45 lbs.

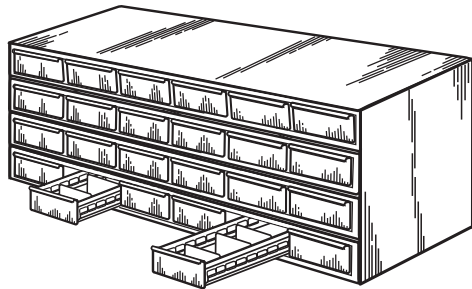
Exterior Dimensions: 10 3/4" H x 34" W x 11 5/8" D

704 - Dividers Only

923 - Replacement Drawers



Note:
Cabinet Base Stands Available
See page 5 for ordering information.



SHIP VIA



716 - 24 Drawer Cabinet

Features:

48 dividers - Extra Dividers Available

24 Drawers

Heavy Duty Cold-Rolled Steel Construction

Durable Powder Coated Finish

Standard Color: Gray

Shipping Weight: 67 lbs.

Exterior Dimensions: 14 3/4" H x 34" W x 11 5/8" D

717 - 30 Drawer Cabinet

Features:

72 dividers - Extra Dividers Available

36 Drawers

Heavy Duty Cold-Rolled Steel Construction

Durable Powder Coated Finish

Standard Color: Gray

Shipping Weight: 89 lbs.

Exterior Dimensions: 17 3/4" H x 34" W x 11 5/8" D

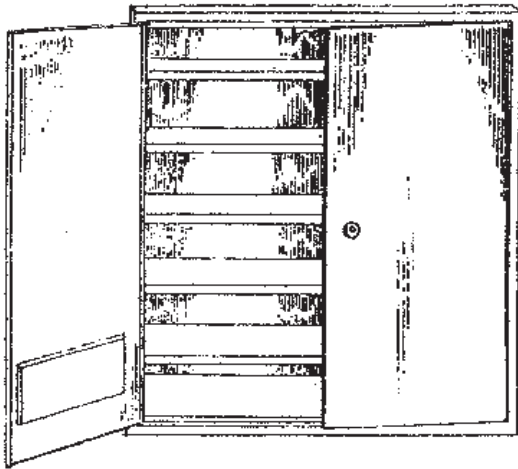


Storage Cabinets

SHIP VIA



730 - L-Ignition Cabinet



Ignition cabinet furnished with lock and key, and formed literature holder.

Features:

Heavy Duty Cold-Rolled Steel Construction

Durable Powder Coated Finish

Six (6) Shelf Capacity

Standard Color: Gray

Shipping Weight: 39 lbs.

Exterior Dimensions: 30" H x 26 1/2" W x 9" D'

731 - S-Ignition Cabinet

Ignition cabinet furnished with lock and key.

Features:

Heavy Duty Cold-Rolled Steel Construction

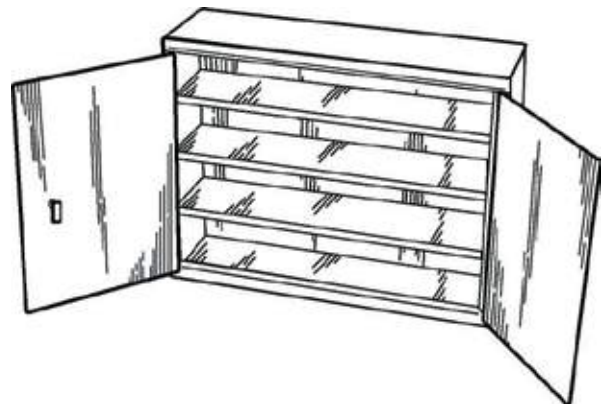
Durable Powder Coated Finish

Four (4) Shelf Capacity

Standard Color: Gray

Shipping Weight: 25 lbs.

Exterior Dimensions: 20 1/4" H x 26 3/8" W x 8"



Aerosol Cabinets

300 (2T-48-AC) Aerosol Can Cabinet

An ideal wall or table mounted aerosol can cabinet with two (2) sliding trays for easy distribution of products. Equipped with exclusive keyed sliding lock. Stores 48 aerosol cans; maximum can height 9 1/2". Diameter of holes is 2 3/4".

Features:

Heavy Duty Cold-Rolled Steel Construction

Durable Powder Coated Finish

Standard Color: Gray

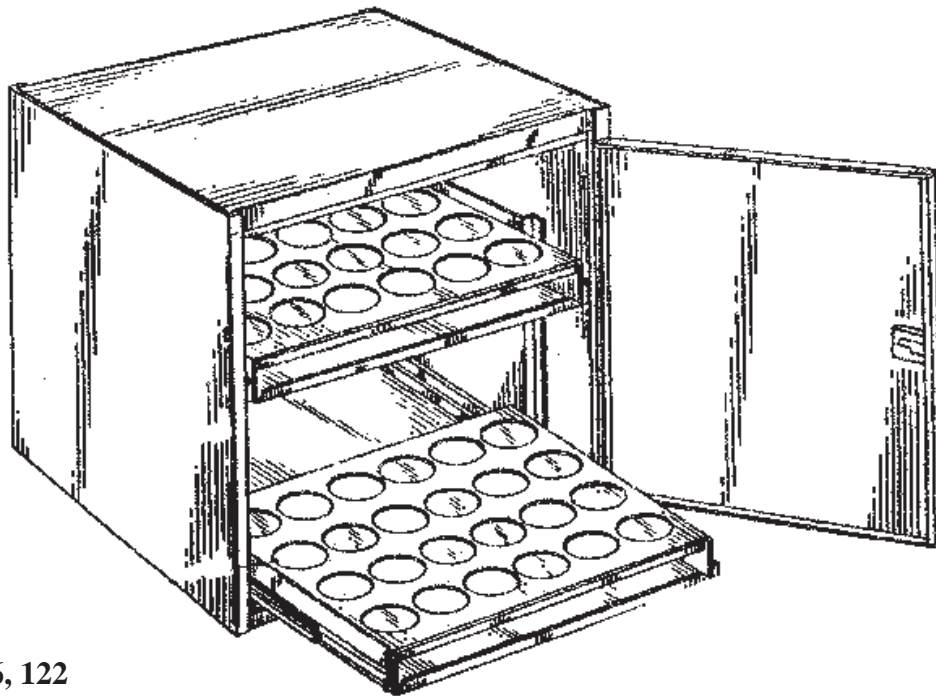
48 can capacity

Two (2) sliding trays

Shipping Weight: 48 lbs

Exterior Dimensions: 24" H x 20 3/4" W x 14" D

SHIP VIA



Patent #D286, 122

Note: Base Stands Available For This Unit

See page 5 for ordering information.

SHIP VIA



Aerosol Cabinets

944 Utility Cabinet

with Doors

Perfect for handling your utility needs from cans to miscellaneous hardware.

Features:

22 Gauge Cold-Rolled Steel Construction

Furnished with 2 adjustable & removable shelves

Additional Shelves Available

Doors Equipped with eyelets for padlock

Standard Color: Gray

One (1) per carton

Shipping Weight: 32 lbs

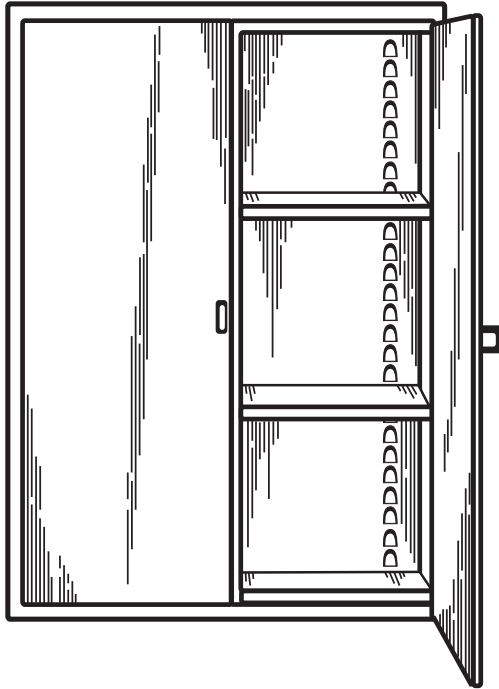
Exterior Dimensions:

30" H x 26 1/2" W x 12 5/8" D

Also Available:

945 Utility Cabinet Without Doors and

946 Additional Shelf



303 (AC-71) Aerosol Can Cabinet

Perfect for organizing your aerosol can assortments. Includes slotted separators and locking doors.

Features:

22 Gauge Cold-Rolled Steel Construction

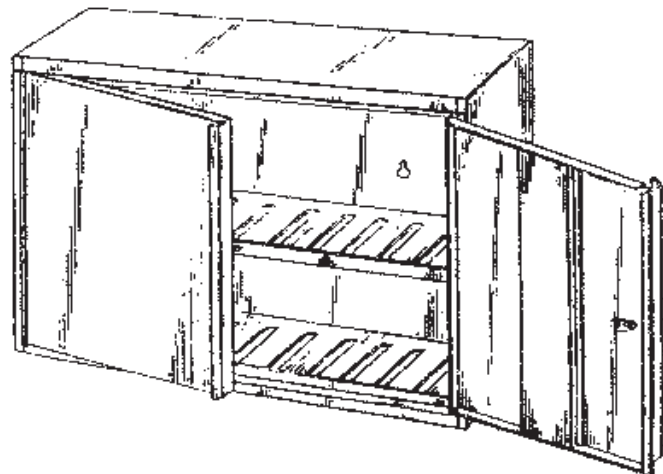
71 Can Capacity

Durable Powder Coated Finish

Standard Color: Gray

Shipping Weight: 37 lbs.

Exterior Dimensions: 24" H x 35 1/4" W x 9" D



SHIP VIA



Can Caddys

SHIP VIA



All the following units are excellent for storage of aerosol products.

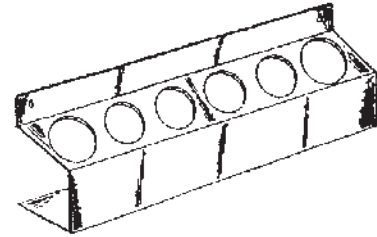
301 (AC-6) Aerosol Can Caddy

Shipping Weight: 3 lbs.

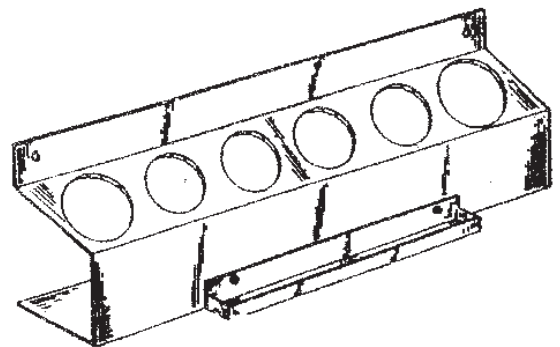
306 (AC-6) 6 Aerosol Can Caddy with tray for storage of nozzles and extension tubes.

Shipping Weight: 4 lbs.

301 Can Caddy - without Tray



306 Can Caddy - with Tray

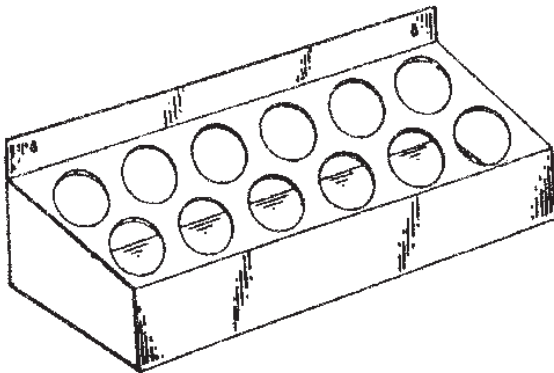


304 (AC-12) 12 Aerosol Can Caddy

A bench or wall mounted unit for storing 12 12 3/4 oz. aerosol cans.

Shipping Weight: 6 lbs.

304 Can Caddy - without Tray



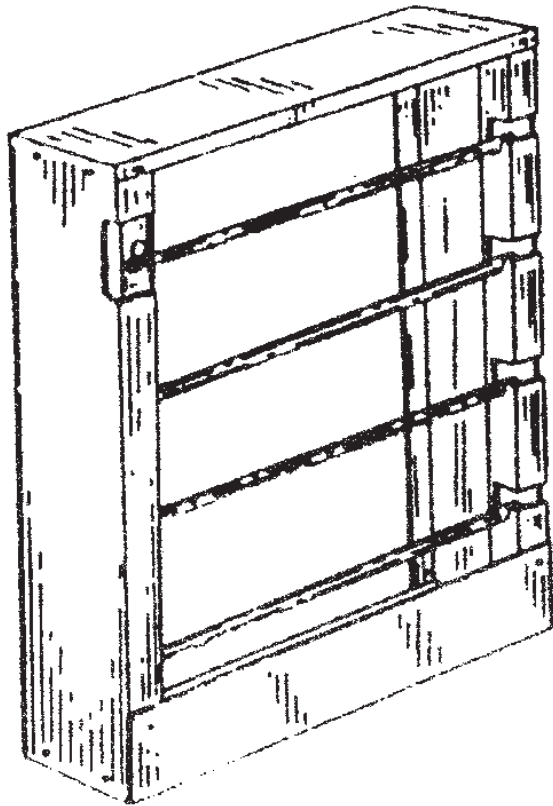
308 (AC-12) 12 Aerosol Can Caddy

Tray attached for storage of nozzles and extension tubes

A bench or wall mounted unit for storing 12 3/4 oz. aerosol cans.

Shipping Weight: 6 lbs.

Specialty Items



600 Wire Rack and Hose Rack

Designed to hold numerous spools of wire for easy distribution. This rack is equipped with four removable 5/8" steel zinc plated dowels. 30" ruler on the outer side of the rack; assists in quick measuring. This unit can be mounted on the wall.

Features:

Heavy Duty Cold-Rolled Steel Construction

Durable Powder Coated Finish

Standard Color: Gray

Holds Four (4) Dowels

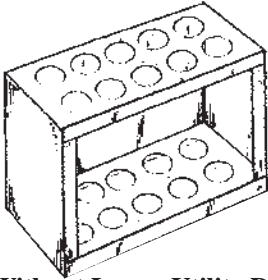
Shipping Weight: 21 lbs.

Dowels: Four (4) 5/8" diameter x 25 3/4 long

Exterior Dimensions: 37 1/4" H x 26 1/8" W x 5 13/16" D

Specialty Items

Stores assorted standard size keystock. Has ten (10) 1 3/8" in diameter holes.



745 Without Lower Utility Drawer

745 Keystock Rack

Without lower utility drawer

Without Drawer:

Shipping Weight: 3 lbs.

Exterior Dimensions: 8 1/8" H x 12 1/2" W x 4 3/4" D

SHIP VIA



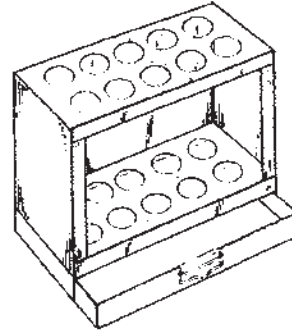
746 Keystock Rack

With lower utility drawer

With Drawer:

Shipping Weight: 5 lbs.

Exterior Dimensions: 9 3/4" H x 12 1/2" W x 4 3/4" D



746 With Lower Utility Drawer

633 Single Wire Rack

Features:

Heavy Duty Cold-Rolled Steel Construction

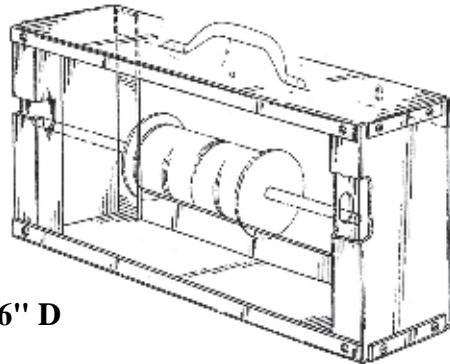
Durable Powder Coated Finish

Standard Color: Gray

Shipping Weight: 11 lbs.

Dowel: 5/8" diameter x 25 3/4 long

Exterior Dimensions: 11 1/4" H x 26 1/16" W x 5 13/16" D



631 Double Spool Rack

Features:

Heavy Duty Cold-Rolled Steel Construction

Durable Powder Coated Finish

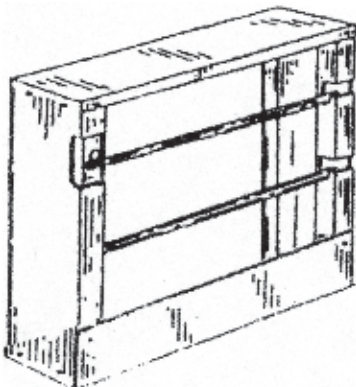
Standard Color: Gray

Holds Two (2) Dowels

Shipping Weight: 21 lbs.

Dowels: Two (2) 5/8" diameter x 25 3/4 long

Exterior Dimensions: 22 1/4" H x 26 1/8" W x 5 13/16" D



268 Gravity Feed Aerosol Cabinet

Features:

Heavy Duty Cold-Rolled Steel Construction

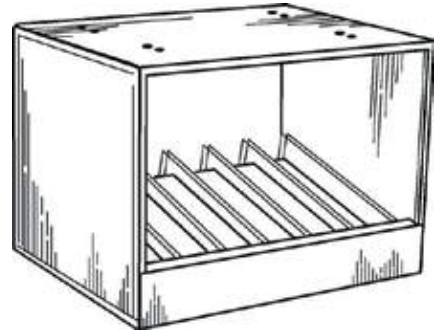
Durable Powder Coated Finish

Standard Color: Gray

Can Capacity: Holds 30 16 oz. cans

Shipping Weight: 26 lbs.

Exterior Dimensions: 14 3/4" H x 20 7/16" W x 16 3/4" D



1042 "Carry-Go-Round"

Features:

Portable

Heavy Duty Cold-Rolled Steel Construction

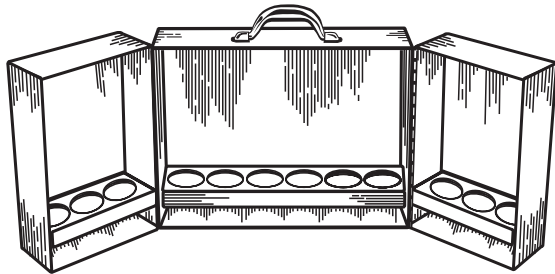
Durable Powder Coated Finish

Standard Color: Gray

12 can capacity

Shipping Weight: 15 lbs

Exterior Dimensions: 12" H x 18" W x 8" D



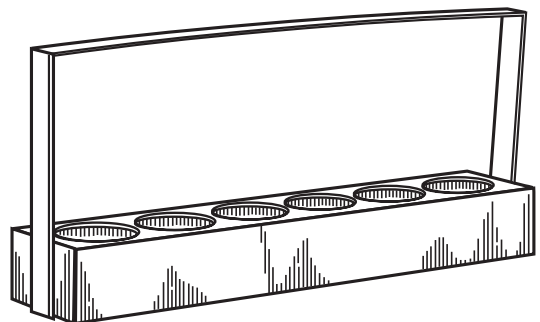
309 Aerosol Can Caddy

Features:

6 Can Caddy with Handle

Shipping Weight: 6 lbs

Exterior Dimensions: 13" H x 19" W x 4" D



714 28-Slot Brake Line Rack

Features:

Heavy Duty Cold-Rolled Steel Construction

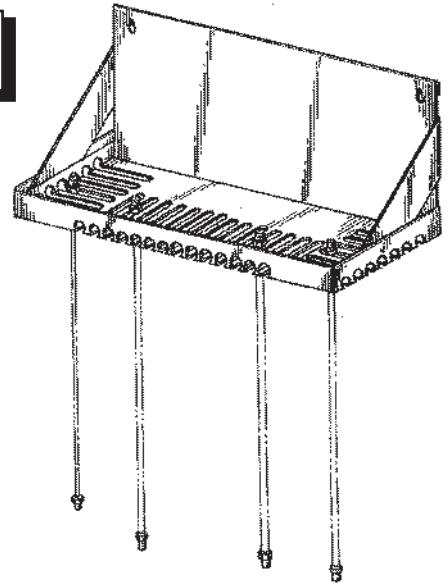
Durable Powder Coated Finish

Standard Color: Gray

Shipping Weight: 4 1/2 lbs

Exterior Dimensions: 9" H x 19 3/8" W x 6 3/4" D

Holds 3/16", 1/4", 5/16", or 3/8" Brake Lines



711 (BRK. R.S.) Brake Line Rack-Single

This is a single Brake Line Rack especially equipped to store 1/4" to 7/16" Brake Lines.

Features:

Wall Mount

Heavy Duty Cold-Rolled Steel Construction

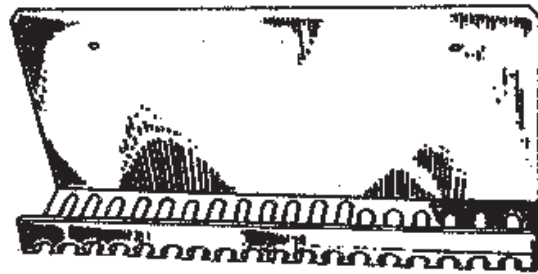
Durable Powder Coated Finish

Standard Color: Gray

18 Slot Capacity 12 Slots 5/16" Wide and 6 Slots 7/16" Wide

Shipping Weight: 2 lbs.

Exterior Dimensions: 7 3/4" H x 15 15/16" W x 3 1/8" D



711 (BRK. R.S.)

SHIP VIA



780 (SWRR) Small Welding Rod Rack
781 (LWRR) Large Welding Rod Rack
782 (XLWRR) Extra Large Welding Rod Rack

This unit is specifically designed for the convenient storage of welding rods, available in three sizes. Please specify size when ordering.

Features:

Heavy Duty Cold-Rolled Steel Construction

Durable Powder Coated Finish

Standard Color: Gray

Six (6) openings per pack

Shipping Weight: Ex Large 18lbs.

Large 15 lbs.

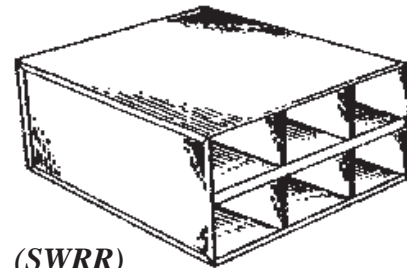
Small 13 lbs.

Exterior Dimensions: Ex Large 8" H x 16" W x 20 1/2" D

Large 8" H x 16" W x 18 3/4" D

Small 8" H x 16" W x 14 3/4" D

SHIP VIA



780 (SWRR)

781 (LWRR)

943 Lockout / Tagout Station

Features:

Cold-Rolled Steel Construction

6 Compartments For Holding Tags and Misc. Paperwork

1/4 Inch Steel Rod Holding Locks, Lockouts and Tags

(Locks, Lockouts and Tags Not Included)

Durable Powder Coated Finish

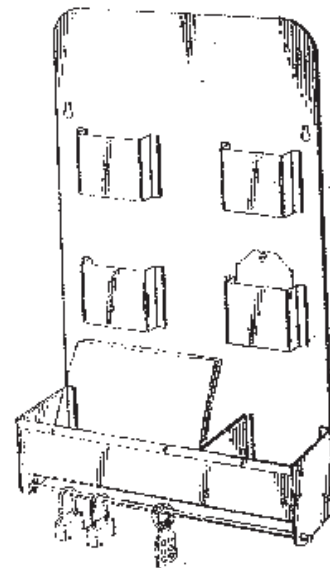
Standard Color: Gray

One (1) per carton

Shipping Weight: 12 lbs.

Exterior Dimension : 25" H x 16" W x 4 1/2" I

SHIP VIA

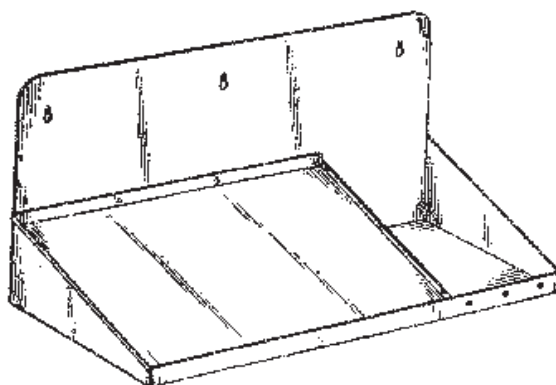


936 Material Safety Data Station Shelf

Features:

- Cold-Rolled Steel Construction
- Holds up to three binders
- Durable Powder Coated Finish
- Standard Color: Gray
- One (1) per carton
- Shipping Weight: 32 lbs.
- Exterior Dimensions: 20" H x 37 1/2" W x 14" D
- 3 Key Hole Mountings
- 3 Pierced Holes For Chain Attachments For Binders
- Comes with 2 Adhesive Labels
- How to Read Material Safety Sheets
- Material Safety Data Station in bold lettering for quick identification

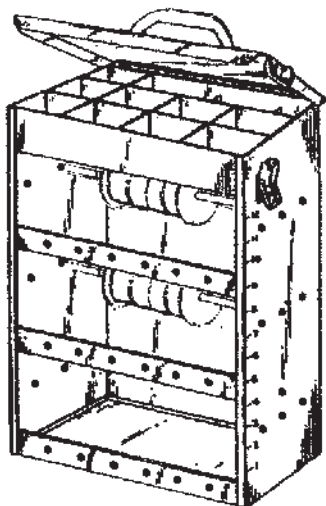
SHIP VIA



920 Wire Caddy

Features:

- Heavy Duty Cold-Rolled Steel Construction
- Durable Powder Coated Finish
- Standard Color: Gray
- One (1) per carton
- Includes 4 1/4 dowels to hold spools and labeled ruler on side for ease of measuring
- Shipping Weight: 13 lbs.
- Exterior Dimensions: 16 3/4" H x 11" W x 7 1/2" D

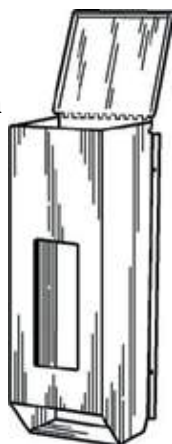


Cut-Off Wheel Dispenser

Features:

- Heavy Duty
- Cold-Rolled Steel Construction
- Durable Powder Coated Finish
- Standard Color: Gray
- Available in three sizes

SHIP VIA



784 for 4 1/2" Wheels

Exterior Dimensions: 16 1/8" H x 6 3/16" W x 5 3/16" D

Shipping Weight: 5 lbs

785 for 7" Wheels

Exterior Dimensions: 16 1/8" H x 8 11/16" W x 7 11/16" D

Shipping Weight: 7 lbs

786 for 9" Wheels

Exterior Dimensions: 16 1/8" H x 10 11/16" W x 9 11/16" D

Shipping Weight: 9 lbs

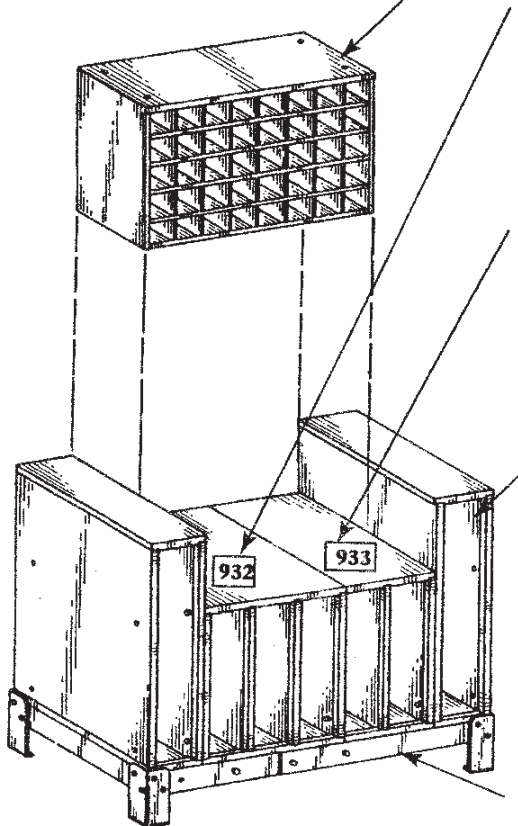
Hydraulic Hose Cabinet



285 (H-40) Bin See page 7

Features:

- Heavy Duty Cold-Rolled Steel Construction
- Durable Powder Coated Finish
- Standard Color: Gray
- Compatible with H-Series Bins up to H-40
- Also double door cabinet see page 24.
- (Excluding H-36)



408-8 Adjustable Hydraulic Hose Base Stand

Note: All hose cabinets bolt securely together

932 Three Compartment Unit

Features:

- Heavy Duty Cold-Rolled Steel Construction
- Durable Powder Coated Finish
- Standard Color: Gray
- Shipping Weight: 69 lbs
- Exterior Dimensions: 24" H x 21 1/2" W x 24" D

933 Two Compartment Unit

Features:

- Heavy Duty Cold-Rolled Steel Construction
- Durable Powder Coated Finish
- Standard Color: Gray
- Shipping Weight: 50 lbs
- Exterior Dimensions: 24" H x 13 3/4" W x 24" D

934 End Compartment Unit

Features:

- Heavy Duty Cold-Rolled Steel Construction
- Durable Powder Coated Finish
- Standard Color: Gray
- Shipping Weight: 48 lbs
- Exterior Dimensions: 35" H x 8 1/2" W x 24" D

408-8 Hydraulic Hose Base Stand

- 16 Gauge Heavy Duty Cold-Rolled Steel Construction
- Durable Powder Coated Finish
- Standard Color: Gray
- Shipping Weight: 41 lbs
- Exterior Dimensions: Closed: 35 3/4" W x 24 1/2" D
- Open: 61 1/8" W x 24 1/2" D
- Standard Legs: 8" H

761 Threaded Rod Rack

Features:

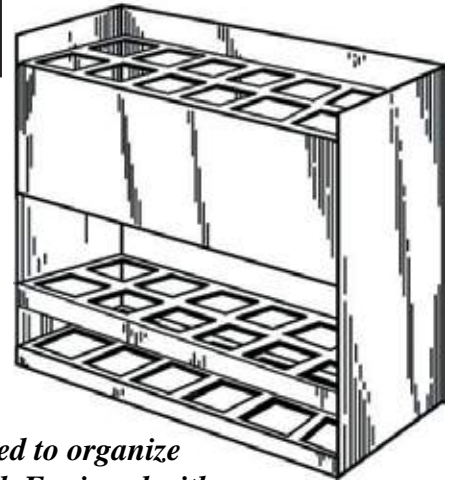
Heavy Duty Cold-Rolled Steel Construction

Durable Powder Coated Finish

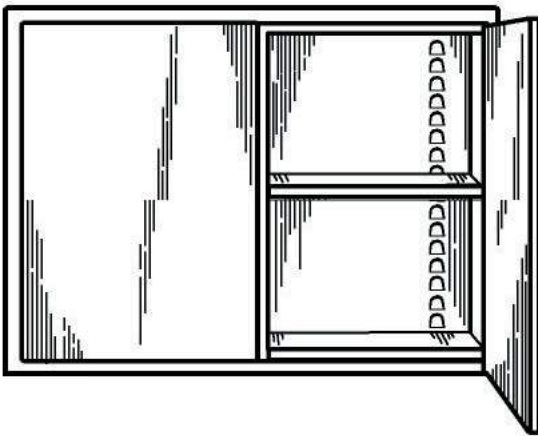
Standard Color: Gray

Shipping Weight: 17 lbs.

Exterior Dimensions: 24" H x 19 1/8" W x 8 1/8" D



Specially used to organize threaded rod. Equipped with twelve (12) 2" square holes.



1046 Double Door Cabinet

Features:

Heavy Duty Cold-Rolled Steel Construction

Keyed Locking Door

Durable Powder Coated Finish

Double Throw Lock, One Adjustable Shelf

(#1056 Additional Shelf) One Per Carton

Shipping Weight: 39 LBS

Exterior Dimensions: 21 1/2" H x 35 1/4" W x 12" D

760 Rod Rack

Features:

Heavy Duty Cold-Rolled Steel Construction

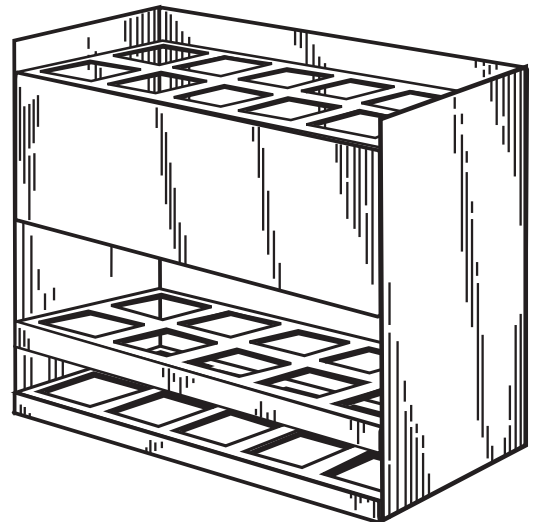
Durable Powder Coated Finish

Standard Color: Gray

Ten (10) hole capacity

Shipping Weight: 17 lbs.

Exterior Dimensions: 24" H x 19 1/8" W x 8 1/8" D



Specially used to organize threaded rod. Equipped with ten (10) 3" square holes.

133 Double Deep Drawer

Features:

Heavy Duty Cold-Rolled Steel Construction

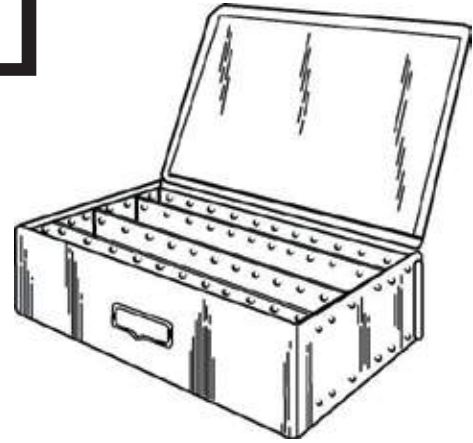
Durable Powder Coated Finish

Standard Color: Gray

Shipping Weight: 25 lbs.

Exterior Dimensions: 3' H x 18" W x 12" D

Includes 3 - 18 inch dividers & 8 - 3 inch dividers that can be moved to create a custom sized interior



Unit allows for a multiple arrangement of small storage compartments.



1070 Fire Extinguisher Sign

Features:

Heavy Duty Cold-Rolled Steel Construction

Durable Powder Coated Finish

Standard Color: White

Shipping Weight: 2 lbs

Exterior Dimensions: 4 1/2" W x 20 1/4" H x 2" D

1044 Mobile Service Center Kit

Requires 2 of the following cabinets or bins in any combination. MF# 1046 Double door cabinet or any H-series bins of 21 1/2" height.

Contents: cart base, casters, handle, utility tray and hardware for assembly.

Tray provides a convenient work surface.

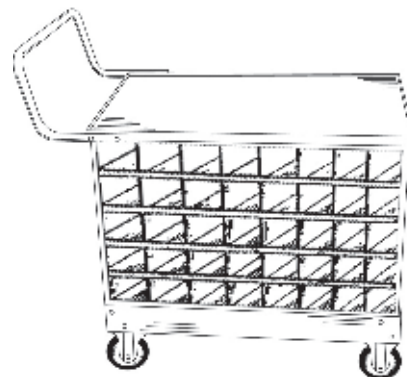
Also available non slip chemical resistant tray matt, part #1045

Features:

5" Ball Bearing Wheels - 2 Swivel locking, 2 Fixed

Durable Powder Coated Finish

Exterior Dimensions: 36"L x 24"W x 32"H



Notes



471 Connecticut Street, Buffalo, NY 14213
New York: 1.716.882.1568 • Nationwide: 1.844.755.9335
www.hssales.com • sales@hssales.com